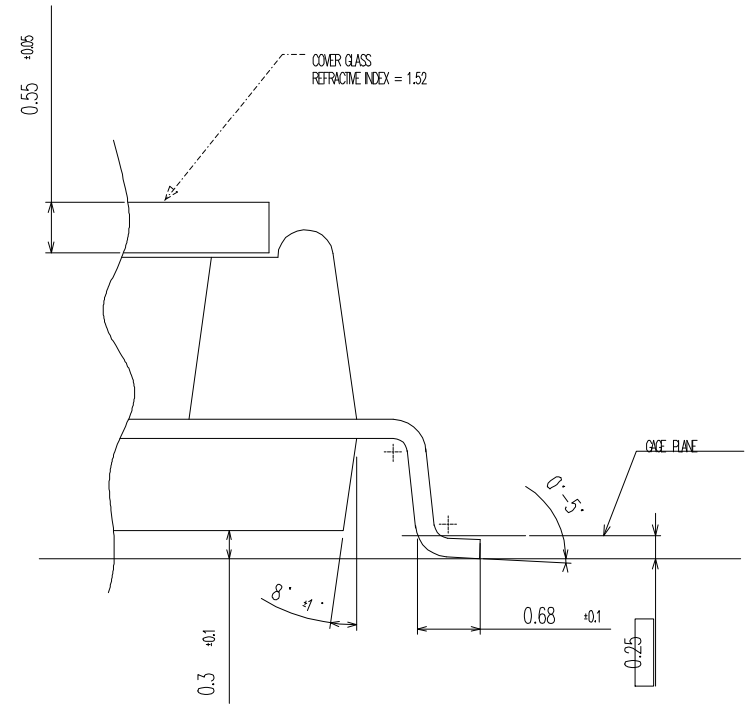
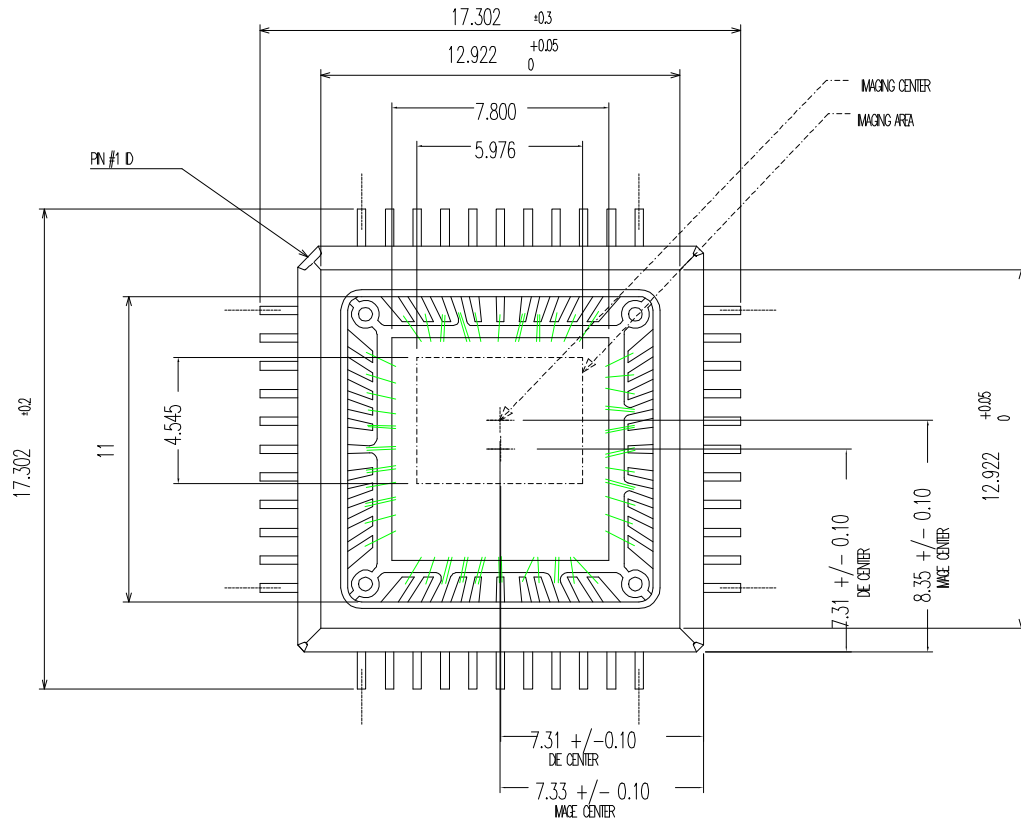
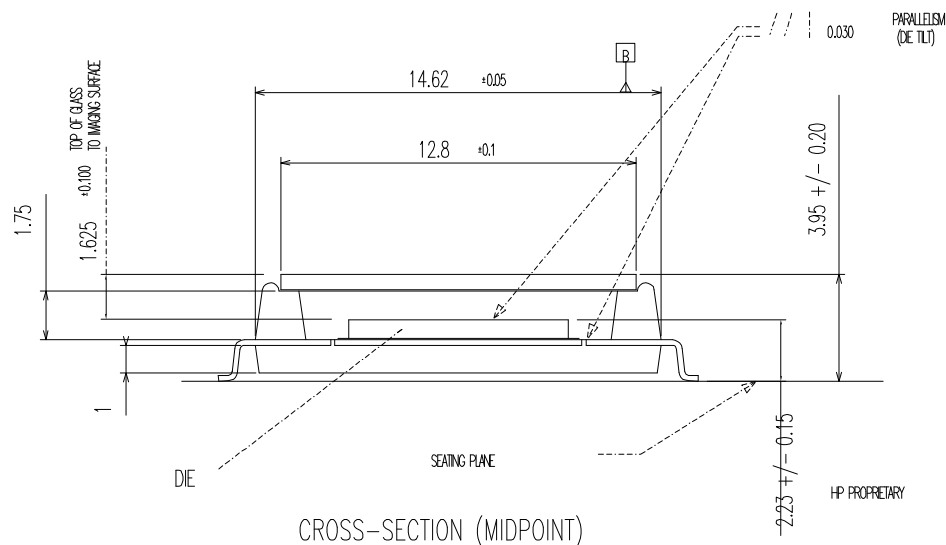


SM	DES	APP	DWG

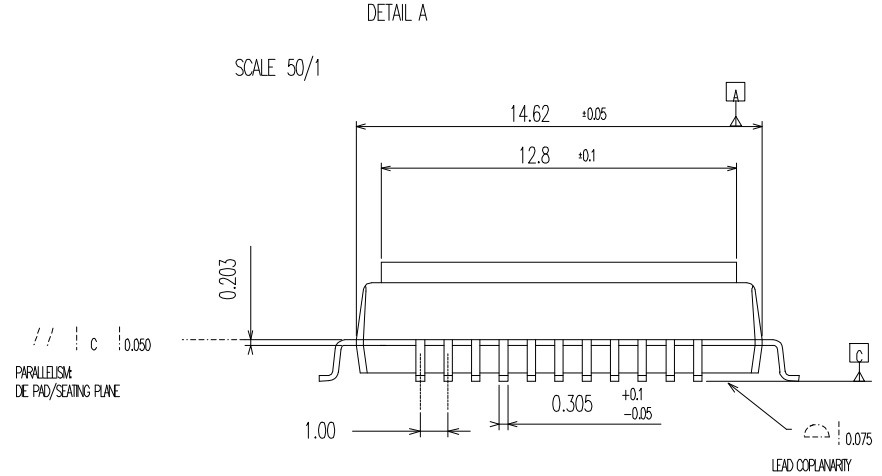


DETAIL A

SCALE 50/1



CROSS-SECTION (MIDPOINT)



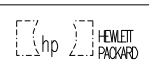
LEAD COPLANARITY

This document contains proprietary and confidential information of Hewlett-Packard Company (HP) and may not be disclosed to or reproduced by others except as authorized by HP.

UNLESS OTHERWISE SPECIFIED DIMENSIONS ARE IN MILLIMETERS

DESIGNED BY	MKE KELLY	DATE	03/02/99
DRAWN BY	MKE KELLY	DATE	03/02/99
CHECKED BY		DATE	
APPROVED BY		DATE	

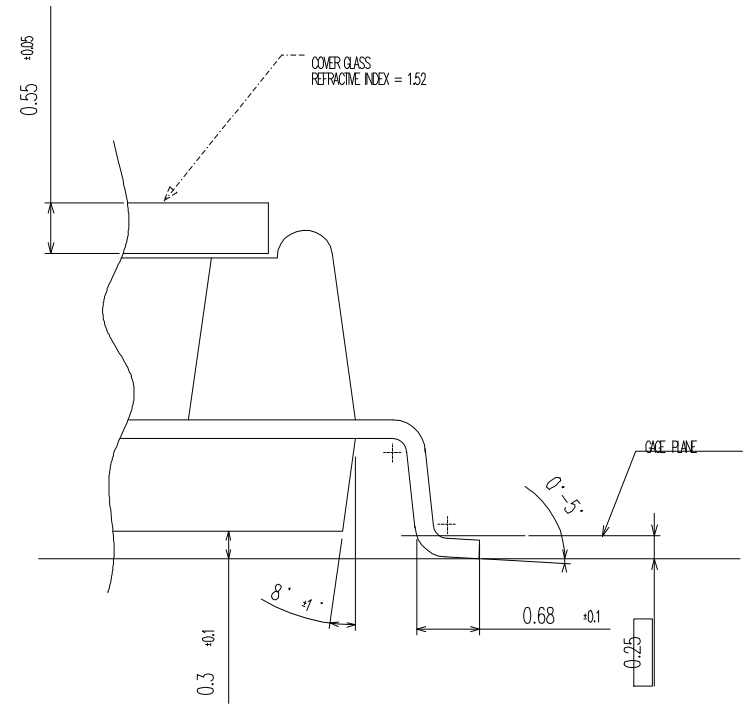
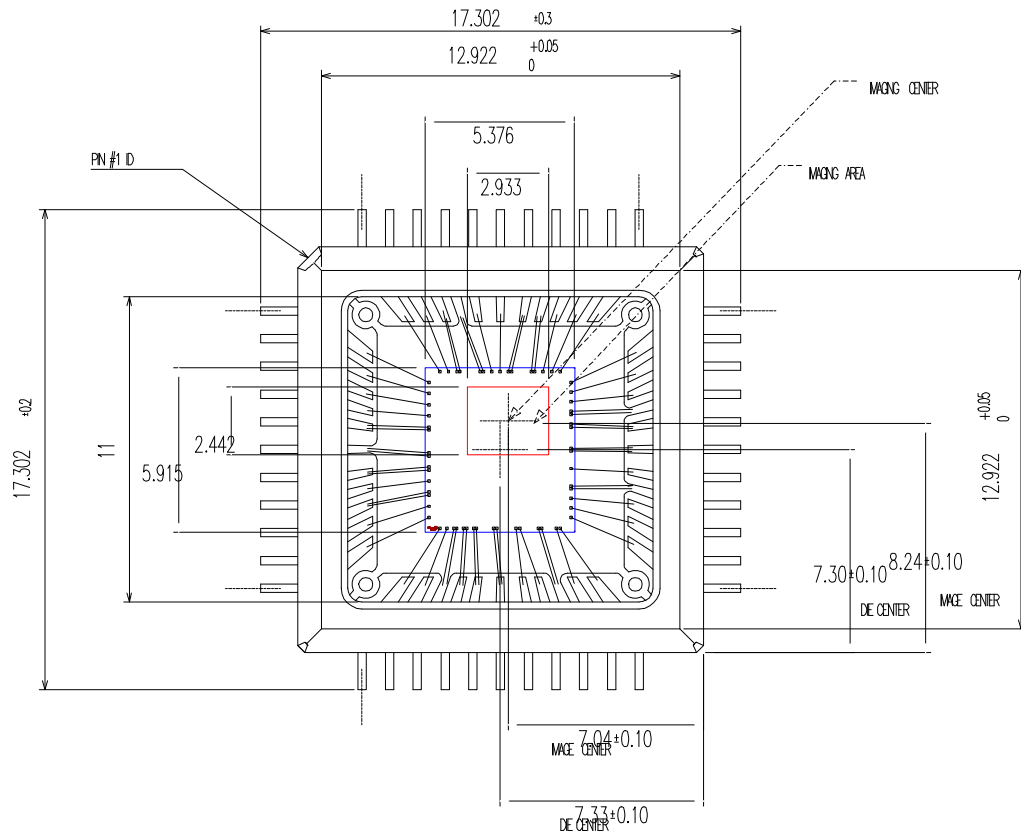
44 PIN GULL-WING OPTICAL SENSOR PACKAGE



SHEET 1 OF 1

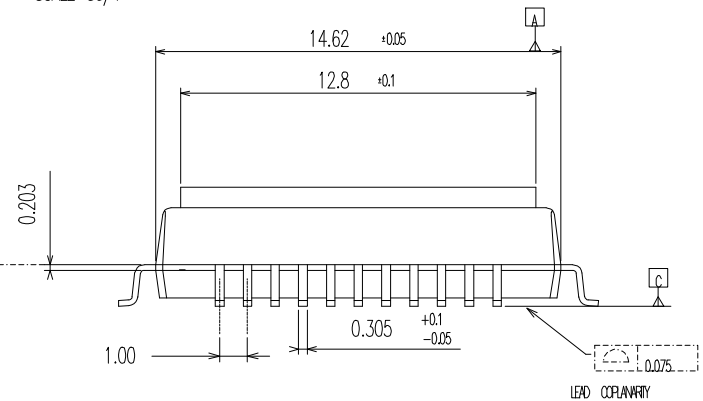
A-5181-7365-

SM	REVISED	APPROD	DIE

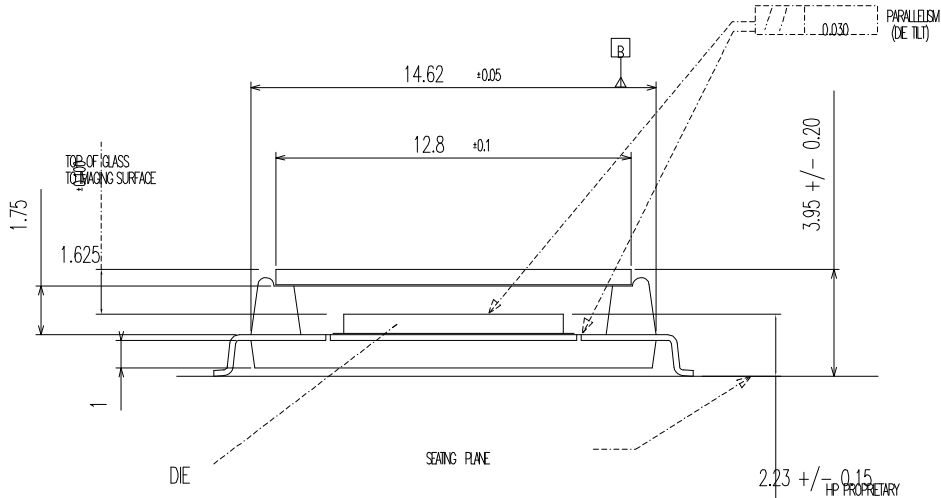


DETAIL A

SCALE 50/1



PARALLELISM
DIE PAD/SEATING PLANE
0.050



CROSS-SECTION (MIDPOINT)

UNLESS OTHERWISE SPECIFIED DIMENSIONS ARE IN MILLIMETERS

DESIGNED BY	Cosprowick	DATE	02/05/99
ENGINEER/DESIGNER	Cosprowick	DATE	02/05/99
RELEASE TO PRODUCE		DATE	
SUPPLEMENTING		DATE	

44 PIN GULL-WING OPTICAL SENSOR PACKAGE (1QU7)

hp HEWLETT PACKARD

This document contains confidential and proprietary information that is the property of Hewlett-Packard Company (HP) and may not be disclosed to or duplicated for other users without the prior written consent of HP.

SCALE 50/1

A-5181-7372-1